

Technical specification of led round panel light

Product description

APP-LIGHTING led round panel light are manufactured for residential and commercial lighting, with simple structure and unique designed for retrofit as well as new construction applications. Offers significant energy cost savings versus standard traditional lights

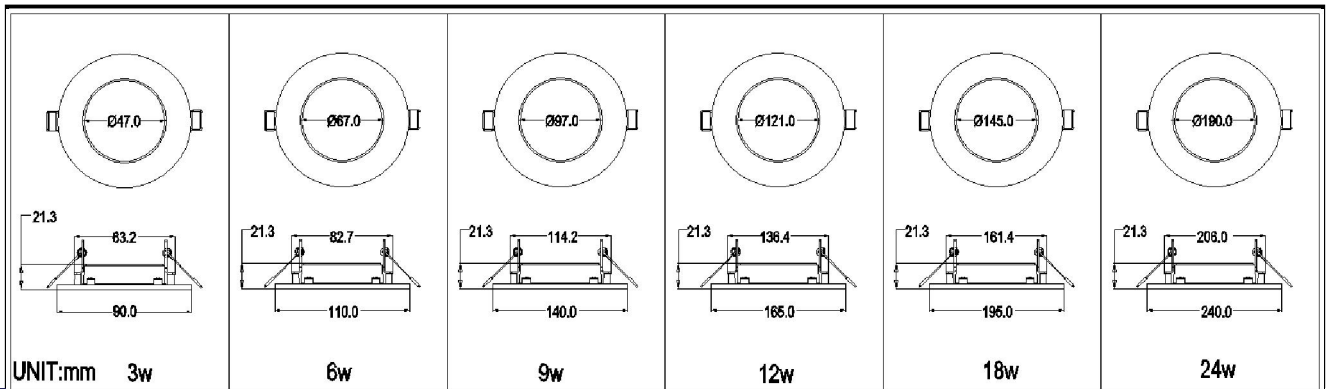
- ★ 85-265v full voltage range constant current
- ★ wide color temperature range.
- ★ nice looking and excellent heat sink material
- ★ soft light, comfortable and bright, effectively relieve eye fatigue.
- ★ instant starting, without delaying.
- ★ CE RoHS approved.

Features

- ★ High luminous efficiency: 75lm/W, low power consumption
- ★ Energy-saving: saving 80% than the traditional lamp
- ★ Long lifespan: more than 50,000hours, 3 years warranty
- ★ 3W,6W,9W,12W,18W,24W are available
- ★ Can be dimmable from 100%-5%, based on your requirement
- ★ Good heat dissipation by unique design and simple structure
- ★ No Mercury Inside, No UV, No IR
- ★ Reliable protection design, free from over-current, over-voltage, short-circuit, and overload risks
- ★ Widely used in Hotels, Conference/Meeting rooms, Factories& Offices, Commercial & Residential /institution buildings, Schools, Colleges& Universities, Hospitals.



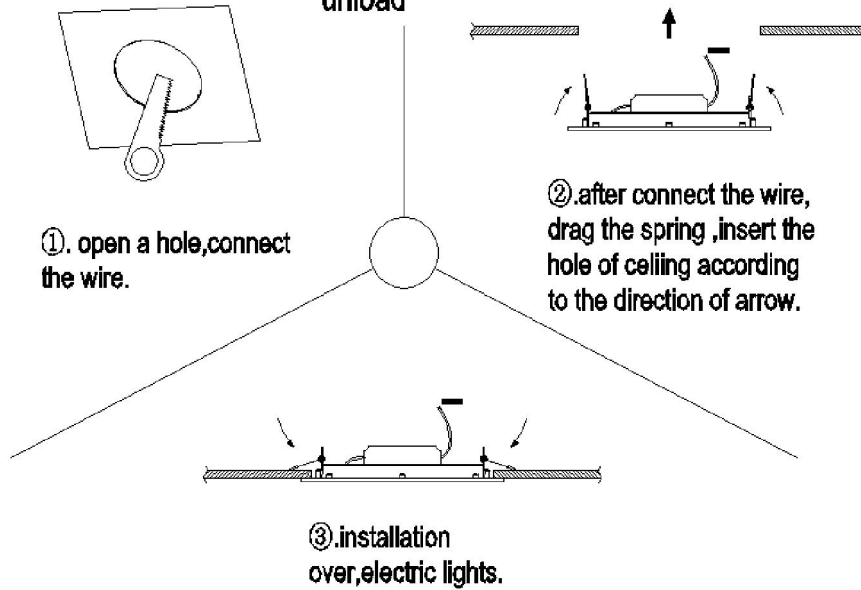
Dimension and Specification



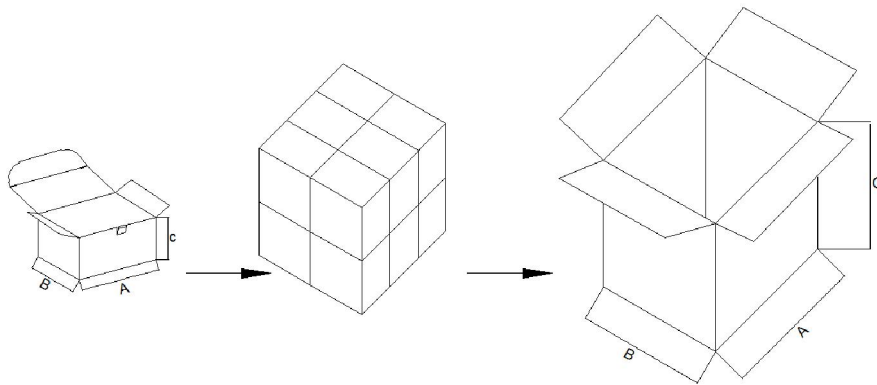
Model NO.	APP-RPL-3W-1	APP-RPL-6W-1	APP-RPL-9W-1	APP-RPL-12W-1	APP-RPL-18W-1	APP-RPL-24W-1
Input	AC 85-265V / 60Hz					
PF	>0.95					
Input power	3W	6W	9W	12W	18W	24W
LED quantity	15pcs	30pcs	45pcs	60pcs	90pcs	120pcs
Dimmable	100%~5%					
luminous flux	225lm	450lm	675lm	900lm	1350lm	1800lm
Correlated color temperature	3000K/6000K					
Ra	Ra>80					
Beam angle	120°					
Lamp and shade	Aluminum +PC					
NW	0.05kg	0.147kg	0.185kg	0.2kg	0.3kg	0.37kg
Maximum Operating Temp	-20~40°C					
Working humidity	10%~80%RH					
Storage temperature	-20°C~80°C					
Led life span	≥50000H					
Hole size	Ø70-Ø75mm	Ø90-Ø100mm	Ø120-Ø130mm	Ø145-Ø155mm	Ø170-Ø180mm	Ø210-Ø220mm
Operating environment	Dry location					

Installation instruction

NOTE: must shut off the power before installing or unload



Package



Packing info:

Model No.	Inner Box			Carton			40'GP
	QTY(unit)	ABC/Dimension(mm)	Gross Weight(kg)	QTY(unit)	ABC/Dimension(mm)	Gross Weight(kg)	Quantity(unit)
3w	2	260*210*50	0.275	40	520*440*290	4	24960
6w	2	260*210*50	0.419	40	520*440*290	9.8	24960
9w	2	308*260*50	0.57	40	540*520*330	10.09	21120
12w	1	260*210*50	0.325	20	520*440*290	8.2	12480
18w	1	260*210*50	0.425	20	520*440*290	9.6	12480
24w	1	308*260*50	0.57	20	540*520*330	12.9	10560